

All rights reserved by **CNHi**.

The information contained in this catalogue is intended to be of a general nature only. **CNHi** may at any time and from time to time, for technical or other necessary reasons, modify any of the details or specifications of the product described in this catalogue.

To be sure of getting accurate, detailed and up-to-date information, an intending buyer should consult his nearest **CNHi** dealer or distributor.

Single item numeration method used in this catalogue may not be used without written consent from **CNHi**.

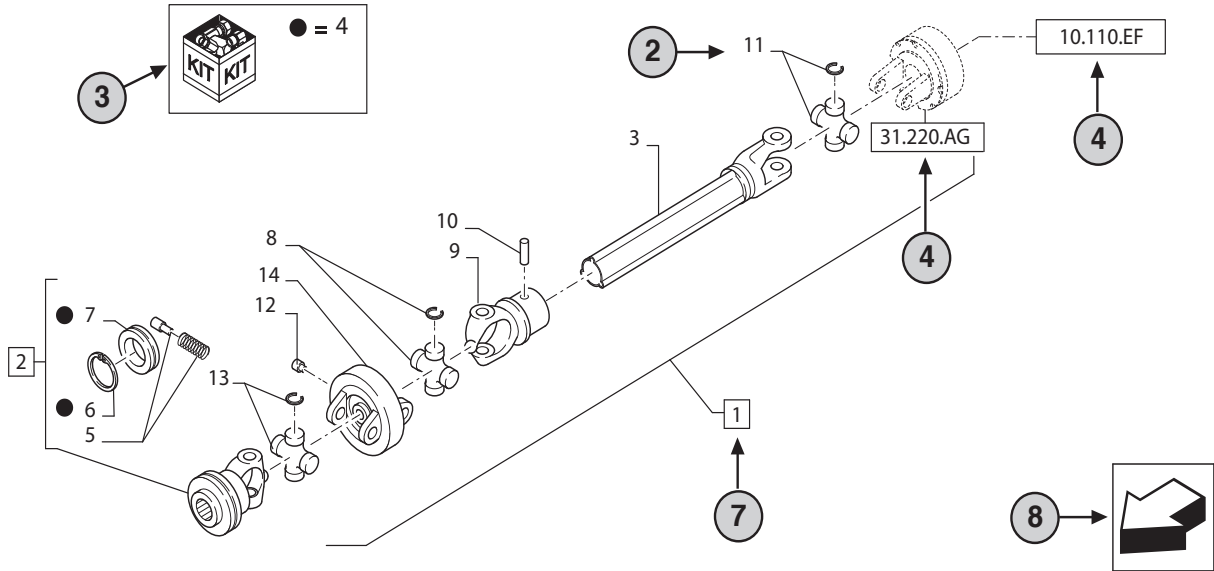
31.220.AD

01

p1

10/2014

VAR - 123782, 789101,987654 - PTO - D650



STANDARD ← 6

23

9

10

31.220.AD

01

p1

10/2014

VAR - 123782, 789101,987654 - PTO - D650

11

12

13

14

REF	FN	PART NUMBER	YR/SN	QTY	DESCRIPTION
1	1	86529340	20	1	SHAFT PTO, Incl 2 - 11
2	15	84014007		1	YOKE, Incl 4 -7 ← 7
3	16	NSS		1	NOT SERVICED SEPARATELY, SHAFT, 350mm, Incl in 1
4		84004292		1	KIT, Seal Kit, Incl 6, 7 ← 17
4		{84058743}		1	KIT, Seal Kit, Incl 6, 7
2	18		21		
	19		22		
		1 = FOR ITALY ONLY ← 5			

MODELS ← 1


- 1 Model Number and Model Description
- 2 Reference - Figure call-out of the part number.
- 3 Parts supplied in repair kits per symbol reference.
- 4 31.220.AD Part illustrated on the **Page** or in the **Figure** indicated, or calls for **Variations** or **Details**. Indicates components shown in detail elsewhere in the catalogue under the figure number shown.
- 5 Footnote references
- 6 Figure notes
- 7 1 2 Includes item(s) (See Description within partlist).
- 8 Orientation. (Arrow indicates front of the machine). 
- 9 Figure description.
- 10 General information of the figure.
- 11 Figure title number that aligns with the SRT. Standard Repair Time.
- 12 **Sequence** code within the assembly.
- 13 Page number within the sequence code.
- 14 **Date** of printing or updating of page (month-year).
- 15 **Note** - Relating to the Part Number. There is a key to symbols and abbreviations at the bottom of the text page.
- 16 Non-serviced parts.
- 17 Further description of the part to help confirm identification.
- 18 Not available as service part.
- 19 Part Number.
- 20 To be defined.
- 21 Total **Quantity** of the Part referred to in the page.
The quantity can be replaced by the following indications:
AR = quantity as requested.
- 22 Part **Description**.
- 23 Variant Codes

TABLE OF CONTENTS

0.0039		SERVICE MAINTENANCE KIT
0.0040		OPTIONAL EQUIPMENT
0.0040/01		OPTIONAL EQUIPMENT
0.0040/02		OPTIONAL EQUIPMENT
0.0040/03		OPTIONAL EQUIPMENT
0.0042		SERVICE PARTS CATALOGUE AND BINDER
0.01.1		INITIAL STOCKING LIST (LIST A)
0.01.5	02	CAPACITIES
0.05.4	01	MAINTENANCE PARTS - FILTERS
0.05.4	02	MAINTENANCE PARTS - STARTER MOTOR, ALTERNATOR, BELTS
0.05.4	03	MAINTENANCE PARTS - FUSES
0.05.4	04	MAINTENANCE PARTS - BULBS
0.05.4	05	MAINTENANCE PARTS - PUMPS
MAIN		MAIN SECTIONS
SEC 01		ENGINE
SEC 02		ENGINE EQUIP.
SEC 03		TRANSMISSION
SEC 04		FRONT AXLE
SEC 05		REAR AXLE
SEC 06		ELECTRICAL
SEC 07		HYDRAULICS
SEC 08		SHEET METAL
SEC 09		LINKAGE
SEC 10	01	DRIVER'S COMPARTMENT
SEC 10	02	DRIVER'S COMPARTMENT
SEC 11	01	TRACTION
SEC 11	02	TRACTION
SEC 13		DECALS
0.02.0		SEC. 01 - ENGINE
0.02.1		ENGINE
0.04.0		CRANKCASE
0.04.2		ENGINE OIL SUMP
0.04.3		CRANKCASE COVERS
0.06.0		CYLINDER HEAD
0.06.3	01	CYLINDER HEAD COVERS
0.06.3	02	CYLINDER HEAD COVERS

TABLE OF CONTENTS

0.06.6		ROCKER SHAFT
0.07.1		INTAKE MANIFOLD
0.07.7		EXHAUST MANIFOLD
0.08.0		CRANKSHAFT
0.08.1		CONNECTING ROD
0.08.2		PISTON
0.08.3		FLYWHEEL
0.08.4		PULLEY CRANKSHAFT
0.12.0		CAMSHAFT - TIMING CONTROL
0.14.0	01	INJECTION PUMP
0.14.0	02	INJECTION EQUIPMENT - INJECTOR
0.14.0/ A		INJECTION PUMP - COMPONENTS
0.14.9		INJECTION EQUIPMENT - PIPING
0.20.0		FUEL FILTER
0.20.3		PIPING FUEL
0.20.4		INJECTION EQUIPMENT - PIPING
0.24.0		TURBOCHARGER
0.27.0		ENGINE OIL DIPSTICK
0.30.0		OIL PUMP
0.30.2		OIL FILTER
0.30.5		PIPING ENGINE OIL
0.31.5		HEAT EXCHANGER ENGINE
0.32.0		WATER PUMP
0.32.3		ENGINE COOLING SYSTEM PIPING
0.32.4		ENGINE COOLING SYSTEM PIPING
0.32.6		THERMOSTAT ENGINE COOLING SYSTEM
0.34.0		WATER PUMP DRIVE
0.34.5		FAN DRIVE
0.35.0		POWER TAKE OFF
0.36.0		STARTER MOTOR
0.39.0		COMPRESSOR, AIR CONDITIONING
0.39.0/ A		COMPRESSOR, AIR CONDITIONING - BREAKDOWN
0.40.0		ALTERNATOR
0.41.0		ELECTRONIC INJECTION
0.41.3		CONNECTIONS CABLE FOR ENGINE INJECTION
1.09.0		SEC. 02 - ENGINE EQUIP.

TABLE OF CONTENTS

1.14.0	01	FUEL TANK - C6851
1.14.0	01A	FUEL TANK - D6851
1.14.6		FUEL LINES
1.14.6/ A		FUEL FILTER - BREAKDOWN - D6809
1.14.7	01	MAIN FUEL TANK SUPPORT - C6687
1.14.7	01A	MAIN FUEL TANK SUPPORT - D6687
1.14.7	02	AUXILIARY FUEL TANK SUPPORT
1.14.7/01		(VAR.131) FUEL TANK GUARDS
1.15.1		SILENCER
1.17.0	01	RADIATOR & RELATED PARTS - C5549
1.17.0	01A	RADIATOR & RELATED PARTS - D5549
1.17.0/ A		RADIATOR - BREAKDOWN - C5549
1.17.0/ B		RADIATOR - BREAKDOWN - D5549 - C5912
1.17.0/ C		RADIATOR - BREAKDOWN - D5912 - C6258
1.17.0/ D		RADIATOR - BREAKDOWN - D6258 - C6572
1.17.0/ E		INTERCOOLER, TRANSM. OIL COOLER AND AIR CONDITIONING CONDENSER - BREAKDOWN - D6572
1.17.2		COOLING - EXPANSION TANK
1.17.3		RADIATOR HOSES
1.17.5		RADIATOR DUCT AND SEALS
1.19.1		DRY AIR FILTER - PIPES
1.19.6		INTERCOOLER AND CONDENSER - PIPES
1.19.9		ENGINES GUARDS
1.19.9/01		(VAR.010-011) AIRBRAKE GUARDS FOR FRONT SUSPENSION AXLES
1.19.9/02		(VAR.212-463) 4WD AXLES W/ACTIVE SUSPENSION - ENGINE GUARDS
1.20.0		SEC. 03 - TRANSMISSION
1.20.1		SERVICE KIT, TRANSMISSION
1.21.0	01	CLUTCH BOX ASSY
1.21.0	02	CLUTCH BOX ASSY - GUARDS
1.21.0	03	SPACER
1.21.0	04	CENTRAL HOUSING / TRANSMISSION BOX
1.21.0	05	CENTRAL HOUSING / TRANSMISSION BOX
1.21.0	06	CENTRAL HOUSING / TRANSMISSION BOX - GUARDS
1.21.0	07	OIL BREATHER ASSEMBLY
1.21.0/01	01	(VAR.147-571) FULL POWER SHIFT TRANS. 19X6 - CENTRAL HOUSING
1.21.0/01	02	(VAR.147-571) FULL POWER SHIFT TRANS. 19X6
1.21.1	01	FRONT AXLE SUPPORT (2WD)

TABLE OF CONTENTS

1.21.1	02	FRONT AXLE TRUNNIONS (4WD) - C5718
1.21.1	02A	FRONT AXLE TRUNNIONS (4WD) - D5718
1.21.1/01		(VAR.217) SUPPORT FOR 4WD SUPERSTEER FRONT AXLE
1.21.1/02		(VAR.704) SIDE RAILS
1.21.3	01	(VAR.212-463) 4WD FRONT AXLE WITH ACTIVE SUSPENSIONS - ARM AND SHAFT
1.21.3	02	(VAR.212-463) 4WD FRONT AXLE WITH ACTIVE SUSPENSIONS - SUPPORT
1.21.3	03	(VAR.212-463) 4WD FRONT AXLE WITH ACTIVE SUSPENSIONS
1.21.3	04	(VAR.212-463) 4WD FRONT AXLE WITH ACTIVE SUSPENSIONS - CYLINDER - C5972
1.21.3	04A	(VAR.212-463) 4WD FRONT AXLE WITH ACTIVE SUSPENSIONS - CYLINDER - D5972
1.21.3	05	(VAR.212-463) 4WD FRONT AXLE WITH ACTIVE SUSPENSIONS - VALVE
1.21.3	06	(VAR.212-463) 4WD FRONT AXLE WITH ACTIVE SUSPENSIONS - CYLINDER - C5972
1.21.3	06A	(VAR.212-463) 4WD FRONT AXLE WITH ACTIVE SUSPENSIONS - CYLINDER - D5972
1.21.3	07	(VAR.212-463) 4WD FRONT AXLE WITH ACTIVE SUSPENSIONS - CYLINDER, ACCUMULATOR AND PIPES
1.21.3	08	(VAR.212-463) 4WD FRONT AXLE WITH ACTIVE SUSPENSIONS
1.21.5		FRONT WEIGHT CARRIER FOR FAN STYLED WEIGHT - 2WD
1.21.5/01		(VAR.065-067) FRONT WEIGHT - S/STEER T/HOOK
1.21.5/02		(VAR.066-068) FRONT WEIGHT - WITH HOOK
1.21.5/03		(VAR.066) FRONT WEIGHT - WITH HOOK
1.21.5/04		(VAR.681/1) LOWER FRONT WEIGHT
1.21.5/05		(VAR.066-068-684) FRONT WEIGHT CARRIER
1.21.5/06		(VAR.682) WEIGHT CARRIER FOR SUPERSTEER AXLE
1.21.6		(VAR.014) SIDE FRAMES W/QUICK MULTI COUPLERS FOR NA - BRACKETS
1.25.3		CLUTCH, PTO
1.28.7	01	SPEED GEARS AND CLUTCHES - SUPPORT AND MANIFOLD
1.28.7	02	SPEED GEARS AND CLUTCHES - "A" CLUTCH AND GEARS
1.28.7	03	SPEED GEARS AND CLUTCHES - "B" CLUTCH
1.28.7	04	SPEED GEARS AND CLUTCHES - TOP DRIVING SHAFT AND GEARS
1.28.7	05	SPEED GEARS AND CLUTCHES - DRIVEN SHAFT AND "E" CLUTCH - C6075
1.28.7	05A	SPEED GEARS AND CLUTCHES - DRIVEN SHAFT AND "E" CLUTCH - D6075
1.28.7	06	SPEED GEARS AND CLUTCHES - "C" AND "D" CLUTCHES
1.28.7	07	SPEED GEARS AND CLUTCHES - GEARS
1.28.7	08	SPEED GEARS AND CLUTCHES - SHIMS
1.28.7	09	SPEED GEARS AND CLUTCHES - SHIMS
1.28.7	10	SPEED GEARS AND CLUTCHES - SHIMS
1.29.6	01	HYDRAULIC GEARBOX CONTROL - INTERNAL PIPES
1.29.6	02	HYDRAULIC GEARBOX CONTROL - PIPES

TABLE OF CONTENTS

1.29.7	01	TRANSMISSION OIL COOLER - PIPES
1.29.7	02	GEARBOX LUBRICATION - PIPES - C6002
1.29.7	02A	GEARBOX LUBRICATION - PIPES - D6002
1.29.7	03	GEARBOX LUBRICATION - PIPES
1.29.7/01		(VAR.147-571) FULL POWER SHIFT TRANS. 19X6 - GEAR CHANGE LUBRICATION PIPES
1.32.0		TRANSMISSION, COVERS AND SUPPORTS
1.32.1	01	CENTRAL REDUCTION GEARS - MEDIUM RANGE GEARS
1.32.1	02	CENTRAL REDUCTION GEARS - SHIMS
1.32.1	03	CENTRAL REDUCTION GEARS - SHIMS
1.32.1	04	CENTRAL REDUCTION GEARS - SHIMS
1.32.1	05	CENTRAL REDUCTION GEARS - SHIMS
1.32.1	06	CENTRAL REDUCTION GEARS - FAST/SLOW RANGE CLUTCH
1.32.1	07	CENTRAL REDUCTION GEARS - FAST/SLOW RANGE CLUTCH
1.32.1	08	CENTRAL REDUCTION GEARS - BEVEL GEARS
1.32.1	09	CENTRAL REDUCTION GEARS - REVERSE RANGE CLUTCH AND GEARS
1.32.1	10	CENTRAL REDUCTION GEARS - REVERSE RANGE CLUTCH
1.32.1	11	CENTRAL REDUCTION GEARS - SHIMS
1.32.1	12	CENTRAL REDUCTION GEARS - SHIMS
1.32.1	13	CENTRAL REDUCTION GEARS - SHIMS
1.32.1/01		(VAR.147) FULL POWER SHIFT TRANS. 19X6 (50 KM/H) - BEVEL GEAR PAIR AND RELEVANT GEARS
1.32.1/02		(VAR.571) FULL POWER SHIFT TRANS. 19X6 (40 KM/H) - BEVEL GEAR PAIR AND RELEVANT GEARS
1.32.2	01	TRANSMISSION TOP COVER CONTROL VALVE
1.32.2	02	TRANSMISSION TOP COVER CONTROL VALVE RELATED PARTS
1.32.2/01	01	(VAR.147-571) FULL POWER SHIFT TRANS. 19X6 - CENTRAL GEAR REDUCTION CONTROLS
1.32.2/01	02	(VAR.147-571) FULL POWER SHIFT TRANS. 19X6 - CENTRAL GEAR REDUCTION CONTROLS
1.32.3	01	(VAR.146) SUPP. GEAR REDUCTION UNIT FOR FULL POWER SHIFT - REDUCTION UNIT CONTROLS
1.32.3	02	(VAR.146) SUPP. GEAR REDUCTION UNIT FOR FULL POWER SHIFT - REDUCTION UNIT CONTROLS
1.32.3	03	(VAR.146) SUPP. GEAR REDUCTION UNIT FOR FULL POWER SHIFT - REDUCTION UNIT CONTROLS
1.32.4		DIFFERENTIAL GEARS
1.32.5	01	(VAR.147-571) FULL POWER SHIFT TRANS. 19X6 - CLUTCH DELIVERY MANIFOLD DRIVINGSHAFT
1.32.5	02	(VAR.147-571) FULL POWER SHIFT TRANS. 19X6 - CLUTCH COVER PLATE AND RELEVANT PARTS - C6075
1.32.5	02A	(VAR.147-571) FULL POWER SHIFT TRANS. 19X6 - CLUTCH COVER PLATE AND RELEVANT PARTS - D6075
1.32.5	03	(VAR.147) FULL POWER SHIFT TRANS. 19X6 (50 KM/H) - SAFETY VALVE AND RELEVANT PARTS
1.32.6		DIFFERENTIAL LOCKS
1.32.6/01		(VAR.212-463) 4WD AXLES W/ACTIVE SUSPENSION - HYDRAULIC DIFFERENTIAL LOCK

TABLE OF CONTENTS

1.32.6/01A		PRIORITY VALVE - BREAKDOWN
1.32.8	01	PUMPS FOR HYDRAULIC SYSTEM AND LIFT - DRIVING GEARS
1.32.8	02	PUMPS FOR HYDRAULIC SYSTEM AND LIFT - SHIMS
1.32.8	03	PUMPS FOR HYDRAULIC SYSTEM AND LIFT - SHIMS
1.32.8	04	PUMPS FOR HYDRAULIC SYSTEM AND LIFT - PUMPS
1.32.8	05	PUMPS FOR HYDRAULIC SYSTEM AND LIFT - PUMPS AND FILTER
1.32.8	06	PUMPS FOR HYDRAULIC SYSTEM AND LIFT - PUMPS AND FILTER - C6002
1.32.8	06A	PUMPS FOR HYDRAULIC SYSTEM AND LIFT - PUMPS AND FILTER - D6002
1.32.8	07	PUMPS FOR HYDRAULIC SYSTEM AND LIFT - PRIORITY VALVE AND PIPES
1.32.8	08	PUMPS FOR HYDRAULIC SYSTEM AND LIFT - PUMPS - D6002
1.32.8	09	PUMPS FOR HYDRAULIC SYSTEM AND LIFT - OIL FILTER, PIPES AND SUPPORT - D6002
1.32.8/ A		HYDRAULIC PUMP - BREAKDOWN - PUMP HOUSING
1.32.8/ B		HYDRAULIC PUMP - BREAKDOWN - TRANSMISSION HOUSING
1.32.8/01	01	(VAR.004-481) 150 L/MIN PUMP CCLS W/EDC - PUMPS FOR HYDRAULIC SYSTEM AND LIFT
1.32.8/01	02	(VAR.004-481) 150 L/MIN PUMP CCLS W/EDC - PUMPS FOR HYDRAULIC SYSTEM AND LIFT
1.32.8/01	03	(VAR.004-481) 150 L/MIN PUMP CCLS W/EDC - PUMPS FOR HYDRAULIC SYSTEM AND LIFT
1.32.8/01	04	(VAR.004-481) 150 L/MIN PUMP CCLS W/EDC - PUMPS FOR HYDRAULIC SYSTEM AND LIFT
1.32.8/01	05	(VAR.004-481) 150 L/MIN PUMP CCLS W/EDC - PUMPS FOR HYDRAULIC SYSTEM AND LIFT
1.32.8/01	06	(VAR.004-481) 150 L/MIN PUMP CCLS W/EDC - PUMPS FOR HYDRAULIC SYSTEM AND LIFT - C6002
1.32.8/01	06A	(VAR.004-481) 150 L/MIN PUMP CCLS W/EDC - PUMPS FOR HYDRAULIC SYSTEM AND LIFT - D6002
1.32.8/01A	01	(VAR.004-481) 150 L/MIN PUMP CCLS W/EDC - HYDRAULIC PUMP - BREAKDOWN
1.32.8/01A	02	(VAR.004-481) 150 L/MIN PUMP CCLS W/EDC - HYDRAULIC PUMP - BREAKDOWN
1.32.8/01A	03	(VAR.004-481) 150 L/MIN PUMP CCLS W/EDC - HYDRAULIC PUMP - BREAKDOWN
1.32.9		SEC. 04 - FRONT AXLE
1.33.3	01	START HYDRAULIC CLUTCH (4WD)
1.33.3	02	START HYDRAULIC CLUTCH (4WD)
1.33.3	03	START HYDRAULIC CLUTCH (4WD)
1.38.5		FRONT AXLE PROPELLER SHAFT (4WD)
1.38.5/01		(VAR.212-463) 4WD AXLE WITH ACTIVE SUSPENSIONS, FULL POWER SHIFT - DRIVE SHAFT
1.38.5/02		(VAR.217) CLASS 4 4WD FRONT AXLE SUPERSTEER WITH "TERRALOCK" - FRONT AXLE PROPELLER SHAFT
1.39.0		4WD FRONT AXLE
1.40.0/01		4WD FRONT AXLE - BOX
1.40.0/02		4WD FRONT AXLE - STEERING KNUCKLES & HUBS
1.40.0/04		4WD FRONT AXLE - LINK
1.40.0/05	01	4WD FRONT AXLE - SUPPORT
1.40.0/05	02	4WD FRONT AXLE - SUPPORT

TABLE OF CONTENTS

1.40.0/06	01	4WD FRONT AXLE - BEVEL GEAR PAIR
1.40.0/06	02	4WD FRONT AXLE - BEVEL GEAR PAIR
1.40.0/07		4WD FRONT AXLE - DIFFERENTIAL LOCKING
1.40.0/09		4WD FRONT AXLE - HYDRAULIC DIFFERENTIAL LOCK
1.40.0/10		4WD FRONT AXLE - DIFFERENTIAL GEARS AND DIFFERENTIAL SHAFT
1.40.0/10A		4WD FRONT AXLE - AXLE-SHAFT ARTICULATED - BREAKDOWN - C6353
1.40.0/10B		4WD FRONT AXLE - AXLE-SHAFT ARTICULATED - BREAKDOWN - D6353
1.40.0/12		4WD FRONT AXLE - HYDRAULIC STEERING CYLINDER
1.40.0/12A		4WD FRONT AXLE - HYDRAULIC STEERING CYLINDER - BREAKDOWN
1.40.1/01		(VAR.212) 4WD FRONT AXLE WITH SUSPENSIONS, BRAKE, TERRALOCK - BOX
1.40.1/02		(VAR.195-212) 4WD FRONT AXLE WITH SUSPENSIONS, BRAKE, TERRALOCK - STEERING PIVOT PINS
1.40.1/05	01	(VAR.212) 4WD FRONT AXLE WITH SUSPENSIONS, BRAKE, TERRALOCK - SUPPORT
1.40.1/05	02	(VAR.212) 4WD FRONT AXLE WITH SUSPENSIONS, BRAKE, TERRALOCK - SHIMS
1.40.1/06	01	(VAR.212) 4WD FRONT AXLE WITH SUSPENSIONS, BRAKE, TERRALOCK - BEVEL GEAR PAIR
1.40.1/06	02	(VAR.212) 4WD FRONT AXLE WITH SUSPENSIONS, BRAKE, TERRALOCK - SHIMS
1.40.1/09		(VAR.195-212) 4WD FRONT AXLE WITH SUSPENSIONS, BRAKE, TERRALOCK - HYDRAULIC DIFFERENTIAL LOCK
1.40.1/10		(VAR.195-212) 4WD FRONT AXLE WITH SUSPENSIONS, BRAKE, TERRALOCK - GEARS AND DIFFERENTIAL AXLE
1.40.1/10A		(VAR.195-212) 4WD FRONT AXLE - AXLE-SHAFT ARTICULATED - BREAKDOWN - C6353
1.40.1/10B		(VAR.195-212) 4WD FRONT AXLE - AXLE-SHAFT ARTICULATED - BREAKDOWN - D6353
1.40.1/12		(VAR.212) 4WD FRONT AXLE WITH SUSPENSIONS, BRAKE, TERRALOCK - HYDRAULIC STEERING CYLINDER
1.40.1/13	01	(VAR.195-212) 4WD FRONT AXLE WITH SUSPENSIONS, BRAKE, TERRALOCK - BRAKES
1.40.1/13	02	(VAR.195-212) 4WD FRONT AXLE WITH SUSPENSIONS, BRAKE, TERRALOCK - BRAKES
1.40.2/01		(VAR.463) 4WD FRONT AXLE WITH ACTIVE SUSPENSIONS - BOX
1.40.2/02		(VAR.463) 4WD FRONT AXLE WITH ACTIVE SUSPENSIONS - STEERING KNUCKLES & HUBS
1.40.2/05	01	(VAR.463) 4WD FRONT AXLE WITH ACTIVE SUSPENSIONS - SUPPORT
1.40.2/05	02	(VAR.463) 4WD FRONT AXLE WITH ACTIVE SUSPENSIONS - SUPPORT
1.40.2/06	01	(VAR.463) 4WD FRONT AXLE WITH ACTIVE SUSPENSIONS - BEVEL GEAR PAIR
1.40.2/06	02	(VAR.463) 4WD FRONT AXLE WITH ACTIVE SUSPENSIONS - BEVEL GEAR PAIR
1.40.2/07		(VAR.463) 4WD FRONT AXLE WITH ACTIVE SUSPENSIONS - DIFFERENTIAL LOCKING
1.40.2/09		(VAR.463) 4WD FRONT AXLE WITH ACTIVE SUSPENSIONS - HYDRAULIC DIFFERENTIAL LOCK
1.40.2/12		(VAR.463) 4WD FRONT AXLE WITH ACTIVE SUSPENSIONS - HYDRAULIC STEERING CYLINDER
1.40.2/12A		(VAR.463) 4WD FRONT AXLE WITH ACTIVE SUSPENSIONS - HYDRAULIC STEERING CYLINDER - BREAKDOWN
1.40.3/01		(VAR.217) CLASS 4 4WD FRONT AXLE SUPERSTEER WITH "TERRALOCK" - BOX
1.40.3/02	01	(VAR.217) CLASS 4 4WD FRONT AXLE SUPERSTEER WITH "TERRALOCK" - HUBS - C6353
1.40.3/02	01A	(VAR.217) CLASS 4 4WD FRONT AXLE SUPERSTEER WITH "TERRALOCK" - HUBS - D6353

TABLE OF CONTENTS

1.40.3/04		(VAR.217) CLASS 4 4WD FRONT AXLE SUPERSTEER WITH "TERRALOCK" - LINK
1.40.3/05	01	(VAR.217) CLASS 4 4WD FRONT AXLE SUPERSTEER WITH "TERRALOCK" - SUPPORT
1.40.3/05	02	(VAR.217) CLASS 4 4WD FRONT AXLE SUPERSTEER WITH "TERRALOCK" - SUPPORT
1.40.3/05	03	(VAR.217) CLASS 4 4WD FRONT AXLE SUPERSTEER WITH "TERRALOCK" - SUPPORT
1.40.3/05	04	(VAR.217) CLASS 4 4WD FRONT AXLE SUPERSTEER WITH "TERRALOCK" - SUPPORT
1.40.3/06	01	(VAR.217) CLASS 4 4WD FRONT AXLE SUPERSTEER WITH "TERRALOCK" - BEVEL GEAR PAIR
1.40.3/06	02	(VAR.217) CLASS 4 4WD FRONT AXLE SUPERSTEER WITH "TERRALOCK" - BEVEL GEAR PAIR
1.40.3/06	03	(VAR.217) CLASS 4 4WD FRONT AXLE SUPERSTEER WITH "TERRALOCK" - BEVEL GEAR PAIR
1.40.3/07		(VAR.217) CLASS 4 4WD FRONT AXLE SUPERSTEER WITH "TERRALOCK" - DIFFERENTIAL
1.40.3/09		(VAR.217) CLASS 4 4WD FRONT AXLE SUPERSTEER WITH "TERRALOCK" - HYDRAULIC DIFFERENTIAL LOCK
1.40.3/10		(VAR.217) CLASS 4 4WD FRONT AXLE SUPERSTEER WITH "TERRALOCK" - DIFFERENTIAL GEARS AND SHAFT
1.40.3/12		(VAR.217) CLASS 4 4WD FRONT AXLE SUPERSTEER WITH "TERRALOCK" - HYDRAULIC STEERING CYLINDER
1.41.0	01	2WD FRONT AXLE - BODY
1.41.0	02	FRONT AXLE (2WD) - TRACK ROD ASSY
1.41.0/ A		FRONT AXLE (2WD) - STEERING, CYLINDER
1.42.0	01	POWER STEERING PIPES
1.42.0	02	STEERING CYLINDER PIPES AND POWER STEERING PIPES
1.42.0	03	POWER STEERING DELIVERY AND RETURNS PIPES
1.42.0/01		(VAR.212-195-463) 4WD AXLE W/BRAKES AND W/SUSPENSION, FRONT HOSES SUSPENSION, BRAKE CONTROL
1.42.0/02	01	(VAR.636) FAST STEER - VALVE - C5420
1.42.0/02	01A	(VAR.636) FAST STEER - VALVE - D5420
1.42.0/02A	01	VALVE - BREAKDOWN - D5420
1.42.0/02A	02	VALVE - BREAKDOWN - D5420
1.42.0/03		(VAR.217) SUPER STEER - HOSES (4WD)
1.47.0		SEC. 05 - REAR AXLE
1.48.0		SIDE REDUCTION UNIT (FINAL DRIVE) HOUSING AND COVERS
1.48.1	01	FINAL DRIVE, GEARS AND SHAFTS
1.48.1	02	FINAL DRIVE, GEARS AND SHAFTS
1.48.1/01	01	(VAR.181) BAR AXLE 119" FOR STEEL WHEELS & EXTREMITY LIGHTS - GEARS AND SHAFT
1.48.1/01	02	(VAR.181) BAR AXLE 119" FOR STEEL WHEELS & EXTREMITY LIGHTS - GEARS AND SHAFT
1.48.1/02		(VAR.181/1) BAR AXLE 119" FOR CAST WHEELS & EXTREMITY LIGHTS - GEARS AND SHAFT
1.48.1/03	01	(VAR.431-431/1-437-437/1) BARAXLE 98" AND 112" FINAL DRIVE, GEARS AND SHAFTS
1.48.1/03	02	(VAR.431-431/1-437-437/1) BARAXLE 98" AND 112" FINAL DRIVE, GEARS AND SHAFTS
1.48.1/04		(VAR.438) EXTERNAL HUB FOR TWIN WHEELS WITH STEEL RIMS
1.49.7		(VAR.010/1-011/1) REAR BALLAST

TABLE OF CONTENTS

1.49.7/01		(VAR.028-029) REAR BALLAST
1.49.7/02		(VAR.087/1-088/1) REAR BALLAST
1.65.3	01	TRANSMISSION BRAKES - C6332
1.65.3	01A	TRANSMISSION BRAKES - D6332
1.65.3	02	OIL BRAKES TANK
1.65.3/01		(VAR.127) SHUTTLE LEVER OPERATED TRANSMISSION LOCK - OIL BRAKES TANK
1.65.5		PARKING BRAKE
1.65.5/01	01	(VAR.127) SHUTTLE LEVER OPERATED TRANSMISSION LOCK
1.65.5/01	02	(VAR.127) SHUTTLE LEVER OPERATED TRANSMISSION LOCK
1.68.5		BRAKE PIPING
1.68.5/01		(VAR.195-212) FRONT AXLE WITH BRAKES - PIPING
1.68.6	01	(VAR.178-385) TRAILER AIR BRAKE - BRACKET FOR AIR COMPRESSOR
1.68.6	02	(VAR.178-385) TRAILER AIR BRAKE - PULLEYS AND BELT
1.68.6	03	(VAR.178-385) TRAILER AIR BRAKE - PIPES
1.68.6	04	(VAR.178-385) TRAILER AIR BRAKE - PIPES
1.68.6	05	(VAR.178-385) TRAILER AIR BRAKE - AIR TANK AND PIPES
1.68.6	06	(VAR.178-385) TRAILER AIR BRAKE - AIR TANK AND PIPES
1.68.6	07	(VAR.178-385) TRAILER AIR BRAKE - QUICK HITCH AND PIPES
1.68.6	08	(VAR.178-385-385/1) TRAILER AIR BRAKE - CONTROL VALVE AND RELEVANT PARTS
1.68.6	09	(VAR.178-385) TRAILER AIR BRAKE - CONTROL VALVE AND RELEVANT PARTS
1.68.6	10	(VAR.178) TRAILER AIR BRAKE (UK) - QUICK HITCH AND PIPES
1.68.6	11	(VAR.385) TRAILER AIR BRAKE (UK) - QUICK HITCH AND PIPES - D5766
1.74.0		SEC. 06 - ELECTRICAL
1.74.2	01	BATTERY AND BATTERY MOUNTING - C6543
1.74.2	01A	BATTERY AND BATTERY MOUNTING - D6543
1.75.3		BATTERY, CABLES
1.75.3/01		(VAR.752) ELECTRICALLY CONTROLLED BATTERY ISOLATOR - C5759
1.75.3/02		(VAR.753) MECHANICALLY CONTROLLED BATTERY ISOLATOR - C5958
1.75.3/03		(VAR.752) ELECTRICALLY CONTROLLED BATTERY ISOLATOR - D5759
1.75.3/04		(VAR.752) ELECTRICALLY CONTROLLED BATTERY ISOLATOR - HARNESS - D5759
1.75.3/04	01	(VAR.752) ELECTRICALLY CONTROLLED BATTERY ISOLATOR - HARNESS - C6400
1.75.3/04	01A	(VAR.752) ELECTRICALLY CONTROLLED BATTERY ISOLATOR - HARNESS - D6400
1.75.4	01	(VAR.636) FAST STEERING - AUXILIARY CABLES
1.75.4	02	VISCTRONIC FAN, HARNESS
1.75.6	01	HEADLAMPS - INDICATORS
1.75.6	02	WORKLAMPS AND CAB LIGHTING - C6658

TABLE OF CONTENTS

1.75.6	02A	WORKLAMPS AND CAB LIGHTING - D6658
1.75.6	03	REAR COMBINATION LAMPS
1.75.6/ A		REAR LAMPS - BREAKDOWN
1.75.6/ B		REAR LAMPS - BREAKDOWN
1.75.6/01		(VAR.009-755) ROTARY BEACON
1.75.6/02		(VAR.181-667/1) EXTREMITY LIGHTS
1.75.6/03		(VAR.766) "C" PILLAR MOUNTED HALOGEN WORKLIGHTS
1.75.6/04	01	(VAR.773) GRABRAIL WORK LAMPS - C6658
1.75.6/04	01A	(VAR.773) GRABRAIL WORK LAMPS - D6658
1.75.6/05	01	NORTH AMERICA VERSION - SMV WORKLAMPS - C6709
1.75.6/05	01A	NORTH AMERICA VERSION - SMV WORKLAMPS - D6709
1.91.4/06	01A	(VAR.381) ENGINE BLOCK AND TRANSMISSION HEATER, 110 V - D6470
1.80.0		SEC. 07 - HYDRAULICS
1.80.1	01	POWER TAKE-OFF 540E/1000 RPM
1.80.1	02	POWER TAKE-OFF 540E/1000 RPM
1.80.1	03	POWER TAKE-OFF 540E/1000 RPM
1.80.1	04	POWER TAKE-OFF 540E/1000 RPM
1.80.1	05	POWER TAKE-OFF 540E/1000 RPM
1.80.1	06	POWER TAKE-OFF 540E/1000 RPM
1.80.1	07	POWER TAKE-OFF 540E/1000 RPM
1.80.1/01	01	(VAR.809) PTO 540/1000 RPM - SHAFTS AND RELEVANT PARTS
1.80.1/01	02	(VAR.809) PTO 540/1000 RPM - SUPPORT AND FORK
1.80.1/01	03	(VAR.809) PTO 540/1000 RPM - BOX AND RELEVANT GEARS
1.80.5	01	(VAR.087-088-089-092-093) FRONT LINKAGE
1.80.5	02	(VAR.090-091-094) FRONT LINKAGE
1.80.5/01	01	(VAR.087) FRONT LINKAGE FOR SUPERSTEER AXLE
1.80.5/01	02	(VAR.092-093-094) FRONT LINKAGE FOR SUPERSTEER AXLE
1.80.7	01	PTO, CLUTCH
1.80.7	02	PTO, CLUTCH
1.80.7	03	PTO, CLUTCH - (2WD)
1.80.7	04	PTO, CLUTCH - (4WD)
1.80.7/01	01	(VAR.146) SUPP. GEAR REDUCTION UNIT FOR FULL POWER SHIFT - PTO CLUTCH - 2WD
1.80.7/01	02	(VAR.146) SUPP. GEAR REDUCTION UNIT FOR FULL POWER SHIFT - PTO CLUTCH - 4WD
1.80.7/02		(VAR.147-571) FULL POWER SHIFT TRANS. 19X6 - PTO CLUTCH (4WD)
1.81.9	01	(VAR.087-088) FRONT HPL FOR REAR REMOTES LESS PTO, LESS AUX. COUPLERS - LIFTER - C5688
1.81.9	02	(VAR.087-088) FRONT HPL FOR REAR REMOTES LESS PTO, LESS AUX. COUPLERS - LINK AND ARMS - C5688

TABLE OF CONTENTS

1.81.9	03	(VAR.087-088) FRONT HPL FOR REAR REMOTES LESS PTO, LESS AUX. COUPLERS - LIFTER - D5688 - C6726
1.81.9	03A	(VAR.087-088) FRONT HPL FOR REAR REMOTES LESS PTO, LESS AUX. COUPLERS - LIFTER - D6726
1.81.9	04	(VAR.087-088) FRONT HPL FOR REAR REMOTES LESS PTO, LESS AUX. COUPLERS - PIPES - D5688 - C6726
1.81.9	04A	(VAR.087-088) FRONT HPL FOR REAR REMOTES LESS PTO, LESS AUX. COUPLERS - LINK AND ARMS - D5688 - D6726
1.81.9	05	(VAR.087-088) FRONT HPL FOR REAR REMOTES LESS PTO, LESS AUX. COUPLERS - BRACKETS - D5688 - C6726
1.81.9	06	(VAR.087-088) FRONT HPL FOR REAR REMOTES LESS PTO, LESS AUX. COUPLERS - LINK AND ARMS - D5688 - C6726
1.81.9/ A		THIRD-LINK SPRAG - BREAKDOWN
1.81.9/ B		CYLINDER - BREAKDOWN
1.81.9/ C		LIFTER - BREAKDOWN
1.81.9/ D	01	LIFTER - BREAKDOWN
1.81.9/ D	02	LIFTER - BREAKDOWN
1.81.9/ D	03	LIFTER - BREAKDOWN
1.81.9/01	01	(VAR.090) FRONT HPL FOR MID MOUNT REMOTES LESS PTO, WITH AUX. COUPLERS - LIFTER - C5688
1.81.9/01	02	(VAR.090) FRONT HPL FOR MID MOUNT REMOTES LESS PTO, WITH AUX. COUPLERS - LINK AND ARMS - C5688
1.81.9/01	03	(VAR.090) FRONT HPL FOR MID MOUNT REMOTES LESS PTO, WITH AUX. COUPLERS - LIFTER - D5688 - C6726
1.81.9/01	03A	(VAR.090) FRONT HPL FOR MID MOUNT REMOTES LESS PTO, WITH AUX. COUPLERS - LIFTER - D6726
1.81.9/01	04	(VAR.090) FRONT HPL FOR MID MOUNT REMOTES LESS PTO, WITH AUX. COUPLERS - PIPES - D5688 - C6726
1.81.9/01	04A	(VAR.090) FRONT HPL FOR MID MOUNT REMOTES LESS PTO, WITH AUX. COUPLERS - LINK AND ARMS - D6726
1.81.9/01	05	(VAR.090) FRONT HPL FOR MID MOUNT REMOTES LESS PTO, WITH AUX. COUPLERS - BRACKETS - D5688 - C6726
1.81.9/01	06	(VAR.090) FRONT HPL FOR MID MOUNT REMOTES LESS PTO, WITH AUX. COUPLERS - LINK AND ARMS - D5688 - C6726
1.81.9/01A		LIFTER - BREAKDOWN
1.81.9/02	01	(VAR.092-093) FRONT HPL FOR REAR REMOTES LESS PTO, LESS AUX. COUPLERS - LIFTER - C5688
1.81.9/02	02	(VAR.092-093) FRONT HPL FOR REAR REMOTES LESS PTO, LESS AUX. COUPLERS - LINK AND ARMS - C5688
1.81.9/02	03	(VAR.092-093) FRONT HPL FOR REAR REMOTES LESS PTO, LESS AUX. COUPLERS - LIFTER - D5688
1.81.9/02	04	(VAR.092-093) FRONT HPL FOR REAR REMOTES LESS PTO, LESS AUX. COUPLERS - PIPES - D5688
1.81.9/02	05	(VAR.092-093) FRONT HPL FOR REAR REMOTES LESS PTO, LESS AUX. COUPLERS - BRACKETS - D5688
1.81.9/02	06	(VAR.092-093) FRONT HPL FOR REAR REMOTES LESS PTO, LESS AUX. COUPLERS - LINK AND ARMS - D5688
1.81.9/03	01	(VAR.089) FRONT HPL FOR ELECTRONIC REMOTES WITH PTO, LESS AUX. COUPLERS - LIFTER - C5721
1.81.9/03	02	(VAR.089) FRONT HPL FOR ELECTRONIC REMOTES WITH PTO, LESS AUX. COUPLERS - LINK AND ARMS - C5721
1.81.9/03	03	(VAR.089) FRONT HPL FOR ELECTRONIC REMOTES WITH PTO, LESS AUX. COUPLERS - LIFTER - D5721
1.81.9/03	04	(VAR.089) FRONT HPL FOR ELECTRONIC REMOTES WITH PTO, LESS AUX. COUPLERS - PIPES - D5721
1.81.9/03	05	(VAR.089) FRONT HPL FOR ELECTRONIC REMOTES WITH PTO, LESS AUX. COUPLERS - BRACKETS - D5721

TABLE OF CONTENTS

1.81.9/03	06	(VAR.089) FRONT HPL FOR ELECTRONIC REMOTES WITH PTO, LESS AUX. COUPLERS - LINK AND ARMS - D5721
1.81.9/03	07	(VAR.089) FRONT HPL FOR ELECTRONIC REMOTES WITH PTO, LESS AUX. COUPLERS - GEARBOX
1.81.9/03A		FRONT HPL FOR ELECTRONIC REMOTES WITH PTO, LESS AUX. COUPLERS - GEARBOX - BREAKDOWN
1.81.9/03B		FRONT HPL FOR ELECTRONIC REMOTES WITH PTO, LESS AUX. COUPLERS - CLUTCH - BREAKDOWN
1.81.9/04	01	(VAR.091) FRONT HPL FOR MID MOUNT REMOTES WITH PTO, WITH AUX. COUPLERS - LIFTER - C5721
1.81.9/04	02	(VAR.091) FRONT HPL FOR MID MOUNT REMOTES WITH PTO, WITH AUX. COUPLERS - ELEVATOR - C5721
1.81.9/04	03	(VAR.091) FRONT HPL FOR MID MOUNT REMOTES WITH PTO, WITH AUX. COUPLERS - LIFTER - D5721
1.81.9/04	04	(VAR.091) FRONT HPL FOR MID MOUNT REMOTES WITH PTO, WITH AUX. COUPLERS - PIPES - D5721
1.81.9/04	05	(VAR.091) FRONT HPL FOR MID MOUNT REMOTES WITH PTO, WITH AUX. COUPLERS - BRACKETS - D5721
1.81.9/04	06	(VAR.091) FRONT HPL FOR MID MOUNT REMOTES WITH PTO, WITH AUX. COUPLERS - LINK AND ARMS - D5721
1.81.9/04	07	(VAR.091) FRONT HPL FOR ELECTRONIC REMOTES WITH PTO, WITH AUX. COUPLERS - GEARBOX
1.81.9/05	01	(VAR.094) FRONT HPL FOR MID MOUNT REMOTES LESS PTO, WITH AUX. COUPLERS - LIFTER - C5688
1.81.9/05	02	(VAR.094) FRONT HPL FOR MID MOUNT REMOTES LESS PTO, WITH AUX. COUPLERS - LINK AND ARMS - C5688
1.81.9/05	03	(VAR.094) FRONT HPL FOR MID MOUNT REMOTES LESS PTO, WITH AUX. COUPLERS - LIFTER - D5688
1.81.9/05	04	(VAR.094) FRONT HPL FOR MID MOUNT REMOTES LESS PTO, WITH AUX. COUPLERS - PIPES - D5688
1.81.9/05	05	(VAR.094) FRONT HPL FOR MID MOUNT REMOTES LESS PTO, WITH AUX. COUPLERS - BRACKETS - D5688
1.81.9/05	06	(VAR.094) FRONT HPL FOR MID MOUNT REMOTES LESS PTO, WITH AUX. COUPLERS - LINK AND ARMS - D5688
1.82.1	01	LIFTER, LINES
1.82.1	02	LIFTER, LINES
1.82.1	03	LIFTER, LINES
1.82.1	04	FRONT SUSPENSION SUPPLY - HOSE
1.82.1/01		(VAR.212-463) 4WD AXLES W/ACTIVE SUSPENSION - LIFTER, LINES
1.82.5		ASSY POSITION CONTROL DEVICE
1.82.6		CYLINDER
1.82.6/01		(VAR.232-886) HYDRAULIC POWER LIFT - LIFTER, PISTON AND CYLINDER
1.82.6/02		(VAR.047) HYDRAULIC POWER LIFT WITH 2 (110MM) EXTERNAL CYLINDERS - CYLINDER AND PINS
1.82.7	01	CONTROL VALVES
1.82.7	02	CONTROL VALVES
1.82.7/ A		REMOTE CONTROL VALVE - BREAKDOWN
1.82.7/ B		EDC VALVE - BREAKDOWN
1.82.7/ C		REMOTE CONTROL VALVES BODY - BREAKDOWN
1.82.7/01	01	(VAR.170) 3 X MECHANICAL CLOSED CENTER REMOTES
1.82.7/01	02	(VAR.170) 3 X MECHANICAL CLOSED CENTER REMOTES

TABLE OF CONTENTS

1.82.7/02		(VAR.723) 4 X MECHANICAL CLOSED CENTER REMOTES
1.82.7/03		(VAR.667) 3 X MECHANICAL CLOSED CENTER REMOTES
1.82.7/03A		VALVE CONTROL - BREAKDOWN
1.82.7/04		(VAR.669) 4 X MECHANICAL CLOSED CENTER REMOTES
1.82.7/05		(VAR.681) 3 X MECHANICAL BOSCH REMOTES
1.82.7/05A		POWER BEYOND VALVE - BREAKDOWN
1.82.7/06		(VAR.846) 3 X ELECTRONIC REAR REMOTES
1.82.7/07	01	(VAR.718) 4 X ELECTRONIC REAR REMOTES
1.82.7/07	02	(VAR.718) 4 X ELECTRONIC REAR REMOTES
1.82.7/07A		(VAR.718) 4 X ELECTRONIC REAR REMOTES
1.82.7/07B		(VAR.718) 4 X ELECTRONIC REAR REMOTES
1.82.7/07C		(VAR.718) 4 X ELECTRONIC REAR REMOTES
1.82.7/08	01	(VAR.252) 5 X ELECTRONIC REAR REMOTES
1.82.7/08	02	(VAR.252) 5 X ELECTRONIC REAR REMOTES
1.82.7/09	01	(VAR.683) 3 X ELECTRONIC BOSCH REAR REMOTES
1.82.7/09	02	(VAR.683) 3 X ELECTRONIC BOSCH REAR REMOTES
1.82.7/09A		ELECTRONIC CONTROL VALVE - BREAKDOWN
1.82.7/10		(VAR.108-109-110) ELECTRONIC MID MOUNTED VALVES
1.82.7/10A		ELECTRONIC MID MOUNTED VALVES 2 SLICE - BREAKDOWN
1.82.7/10B		ELECTRONIC MID MOUNTED VALVES 3 SLICE - BREAKDOWN
1.82.7/10C		ELECTRONIC MID MOUNTED VALVES 4 SLICE - BREAKDOWN
1.82.7/10D		VALVE CONTROL - BREAKDOWN
1.82.7/10E		VALVE CONTROL - BREAKDOWN
1.82.7/11	01	(VAR.484) RIGHT LIFT ROD AND TOP LINK HYD ADJUST W/ELEC CONTROL - PIPES - C5928
1.82.7/11	01A	(VAR.484) RIGHT LIFT ROD AND TOP LINK HYD ADJUST W/ELEC CONTROL - PIPES - D5928
1.82.7/11	02	(VAR.484) RIGHT LIFT ROD AND TOP LINK HYDRAULIC ADJUST W/ELECTRONIC CONTROL - PIPES
1.82.7/12		(VAR.396) TRAILER BRAKE LOGIC VALVE FOR CLOSED CENTRE LOAD SENSING
1.82.7/13		(VAR.414) HYDRAULIC TRAILER BRAKE (UNIVERSAL) - BRAKING SYSTEM
1.82.7/13A		TRAILER BRAKE VALVE (UNIVERSAL) - BREAKDOWN
1.82.7/14		(VAR.418) HYDRAULIC TRAILER BRAKE (ITALY) - BRAKING SYSTEM
1.82.7/14A		TRAILER BRAKE VALVE (ITALY) - BREAKDOWN
1.82.7/14B		TRAILER BRAKE VALVE (ITALY) - MANIFOLD - BREAKDOWN
1.82.8		LIFTER, ROCK SHAFT AND ASSOCIATES
1.82.9		SEC. 08 - SHEET METAL SEC.
1.83.0	01	HOOD
1.83.0	02	HOOD

TABLE OF CONTENTS

1.83.0	03	HOOD
1.87.4	01	(VAR.497-575) DYNAMIC FRONT FENDERS - SUPPORT - C5799
1.87.4	01A	(VAR.497-575) DYNAMIC FRONT FENDERS - SUPPORT - D5799 - C6067
1.87.4	01B	(VAR.497-575) DYNAMIC FRONT FENDERS - SUPPORT - D6067
1.87.4	02	(VAR.497-575) DYNAMIC FRONT FENDERS - FENDERS AND BRACKETS - C5799
1.87.4	02A	(VAR.497-575) DYNAMIC FRONT FENDERS - FENDERS AND BRACKETS - D5799 - C6067
1.87.4	02B	(VAR.497-575) DYNAMIC FRONT FENDERS - FENDERS AND BRACKETS - D6067
1.87.4/ A		DYNAMIC FRONT FENDERS - BREAKDOWN
1.87.4/ B		DYNAMIC FRONT FENDERS - BREAKDOWN
1.87.4/ C		DYNAMIC FRONT FENDERS - BREAKDOWN
1.88.0		SEC. 09 - LINKAGE
1.89.0		(VAR.907) SWINGING DRAWBAR FOR SLIDER TOW HOOK
1.89.0/01	01	(VAR.910) INDIPENDENT ROLLER SWINGING DRAWBAR - C6098
1.89.0/01	01A	(VAR.910) INDIPENDENT ROLLER SWINGING DRAWBAR - D6098
1.89.0/02		(VAR.912) INDIPENDENT SWINGING DRAWBAR W/CLEVIS
1.89.0/03		(VAR.913) SWINGING DRAWBAR FOR SLIDER TOW HOOK - ITALY
1.89.0/04		(VAR.839) INDIPENDENT SWINGING DRAWBAR - NASO - WITH CLEVIS
1.89.3	01	(VAR.248) HYDRAULIC AUTO PICK-UP HITCH WITH DRAWBAR
1.89.3	02	(VAR.248) HYDRAULIC AUTO PICK-UP HITCH WITH DRAWBAR
1.89.3	03	(VAR.248) HYDRAULIC AUTO PICK-UP HITCH WITH DRAWBAR
1.89.3	04	(VAR.248) HYDRAULIC AUTO PICK-UP HITCH WITH DRAWBAR
1.89.3/01	01	(VAR.898) AUTOMATIC PICK - UP HITCH, SWINGBACK
1.89.3/01	02	(VAR.898) AUTOMATIC PICK - UP HITCH, SWINGBACK
1.89.3/01	03	(VAR.898) AUTOMATIC PICK - UP HITCH, SWINGBACK
1.89.4		(VAR.895) TRAILER HAND BRAKE BRACKET (ITALY)
1.89.5		(VAR.887) SLIDER TOW HOOK W/SWIVEL COUPLING & PITON, LESS SWINGING DRAWBAR - FRENCH TYPE
1.89.5/01		(VAR.897) SLIDER TOW HOOK W/AUTO SWIVEL COUPLING & CABLE, LESS SWINGING DRAWBAR - GERMAN TYPE
1.89.5/02		(VAR.248-898) HYDRAULIC AUTOMATIC PICK-UP HITCH WITH DRAWBAR
1.89.5/03		(VAR.089-247-947) TOW HITCH AND TRAILER END
1.89.5/04		(VAR.180) SLIDER TOW HOOK 38MM SWIVEL COUPLING AND WELDED K80 BALL
1.89.5/05		(VAR.181/2) SLIDER TOW HOOK WITH FIXED COUPLING AND D3 LESS DRAWBAR (ITALY)
1.89.6	01	IMPLEMENT CARRIER
1.89.6	02	IMPLEMENT CARRIER
1.89.6/ A		END ASSEMBLY - BREAKDOWN
1.89.6/ B		TOP LINK ASSEMBLY BREAKDOWN
1.89.6/ C		LIFT LINK ASSEMBLY BREAKDOWN

TABLE OF CONTENTS

1.89.6/01		(VAR.881) IMPLEMENT CARRIER WITH TELESCOPIC LINK ENDS
1.89.6/01A		(VAR.881) IMPLEMENT CARRIER WITH TELESCOPIC LINK ENDS
1.89.6/02A		(VAR.237-484) HYDRAULIC TOP LINK FOR ALL LINKAGE OPTIONS
1.89.6/02B		(VAR.484) RH LIFT ROD AND TOP LINK HYDRAULIC ADJUSTMENT W/ELECTRONIC CONTROL
1.89.9		LATERAL STABILIZERS
1.89.9/01	01	(VAR.754-946) AUTOMATIC LINKAGE STABILIZER - C6561
1.89.9/01	01A	(VAR.754-946) AUTOMATIC LINKAGE STABILIZER - D6561
1.89.9/01A		(VAR.946) AUTOMATIC LINKAGE STABILIZER
1.89.9/01B		(VAR.946) AUTOMATIC LINKAGE STABILIZER
1.90.1	01	SEC. 10 - DRIVER'S COMPARTMENT
1.90.1	02	SEC. 10 - DRIVER'S COMPARTMENT
1.90.2		FOOT STEP
1.90.5		TOOL BOX
1.90.7		FIRE EXTINGUISHER PREDISPOSITION AND EMERGENCY EXIT HAMMER - D6514
1.91.0	01	ELECTRIC SYSTEM CONTROL
1.91.0	02	ELECTRIC SYSTEM CONTROL - SENSOR
1.91.0	03	VISCTRONIC FAN HARNESS
1.91.1	01	INSTRUMENT CLUSTER - ANALOGUE/DIGITAL AND SWITCHES TOGGLE
1.91.1	02	SWITCHES AND RELATED PARTS
1.91.1	03	SWITCH AND RELATED PARTS
1.91.1	04	ELECTRIC SYSTEM, HORN & HORN MOUNTING
1.91.1/01		(VAR.070-079-369-603) ELECTRIC MIRRORS, SWITCHES
1.91.1/02		FRONT HYDRAULIC LIFT AND FRONT POWER TAKE-OFF - SWITCHES AND CABLES
1.91.1/03		(VAR.127) SHUTTLE LEVER OPERATED TRANSMISSION LOCK, SWITCHES
1.91.1/04		SHUTTLE LEVER
1.91.1/05		(VAR.212-463) 4WD FRONT AXLE WITH SUSPENSIONS - HARNESS
1.91.1/06		(VAR.743-743/1-749-753/1) RADAR UNIT
1.91.1/07		SWITCH AND RELATED PARTS
1.91.4	01	REAR MAIN CABLE - C6467
1.91.4	01A	REAR MAIN CABLE - D6467
1.91.4	02	REAR MAIN CABLE - FUSEBOX & RELATED PARTS
1.91.4	03	FRONT MAIN CABLE
1.91.4	04	CAB ROOF CABLE
1.91.4	05	BATTERY CABLE
1.91.4	06	CABLE EXTENSION
1.91.4	07	CONTROL PANEL CABLE

TABLE OF CONTENTS

1.91.4	08	ELETRICAL SYSTEM CABLE
1.91.4	09	SUPPORT FOR RELAY BOX, RELAY, POWER SOCKET AND SWITCHES
1.91.4	10	AIR CONDITIONING - CABLE
1.91.4/01		(VAR.108-109-110) HARNESS, ELECTRONIC MID MOUNTED VALVES
1.91.4/02	01	(VAR.178-385) HARNESS, PNEUMATIC TRAILER BRAKES - UK - C6267
1.91.4/02	01A	(VAR.178-385) HARNESS, PNEUMATIC TRAILER BRAKES - UK - D6267
1.91.4/03		(VAR.203) AIR HEATER AND RELAY CABLES
1.91.4/04		(VAR.212) HARNESS, 4WD AXLE W/SUSPENSION W/BRKS W/FPS
1.91.4/05		(VAR.252) EHR CONTROLS, HARNESS
1.91.4/06	01	(VAR.381) ENGINE BLOCK AND TRANSMISSION HEATER, 120 V - C6470
1.91.4/07	01	(VAR.382) ENGINE BLOCK AND TRANSMISSION HEATER, 240 V - C5998
1.91.4/07	01A	(VAR.382) ENGINE BLOCK AND TRANSMISSION HEATER, 240 V - D5998
1.91.4/08		(VAR.418) HYDRAULIC TRAILER BRAKE (ITALIAN TYPE) HARNESS
1.91.4/09		(VAR.484) RH LIFT ROD AND TOP LINK HYDR. ADJUST W/ELETRONIC CONTROL - LINK LEVELLING VALVE HARNESS
1.91.4/10		(VAR.725) TRACTOR PERFORMANCE MONITOR - KEYPAD AND RADAR SIGNAL SOCKET
1.91.4/11		(VAR.838) OUTER CONTROL MOUNTED MUDGUARDS
1.91.4/12		(VAR.886) HARNESS, FENDER W/HPL
1.91.4/13		(VAR.190) AUTO GUIDANCE STEERING SYSTEM - CABLES
1.91.5	01	WINDSHIELD WIPER TANK
1.91.5	02	FRONT WINDSHIELD WIPER
1.91.5	03	REAR WINDSHIELD WIPER
1.91.5/01		WINDSCREEN AND REAR-WINDOW WASHER TUBES
1.91.6		INTENDED FOR RADIO INSTALLATION
1.92.1		CAB FRAME
1.92.2	01	DOORS
1.92.2	02	DOORS
1.92.3		WINDSHIELD AND RELATED PARTS
1.92.4		REAR WINDOW AND RELATED PARTS
1.92.5	01	REAR FENDERS - C6722
1.92.5	01A	REAR FENDERS - D6722
1.92.5	02	REAR FENDERS
1.92.5/01	01	(VAR.292-293-601) WIDE REAR FENDERS AND EXTENSIONS - C6722
1.92.5/01	01A	(VAR.292-293-601) WIDE REAR FENDERS AND EXTENSIONS - D6722
1.92.5/02	01	(VAR.089/1) EXTREMITY LIGHTS FOR NAR OHIO WIDE FENDERS - FENDERS AND EXTENSIONS - C6722
1.92.5/02	01A	(VAR.089/1) EXTREMITY LIGHTS FOR NAR OHIO WIDE FENDERS - FENDERS AND EXTENSIONS - D6722

**Thanks very much for your reading,
Want to get more information,
Please click here, Then get the complete
manual**

JustClickHere 

NOTE:

**If there is no response to click on the link above,
please download the PDF document first, and then
click on it.**

**Have any questions please write to me:
admin@servicemanualperfect.com**